



# Decorative Carving Stations



## Quality you Expect, Style you Deserve

The Hatco Decorative Carving Station combines the Hatco Decorative Lamp with the Swanstone® Heated Base to create an attractive carving display. Flexibility, style and quality for your chef station for use in restaurants, hotels, country clubs, casinos or custom catered events. The choice is Yours.

- Available as Post Mount, Counter Mount or Freestanding with a rounded or rectangular heated stone base
- Patented telescoping stem and a 30° pivoting post gives you flexibility
- Decorative posts and lamps are available in three Plated colors: Bright Brass, Bright Nickel (standard) or Antique Bronze
- Heated stone bases, post bases and cutting boards are made of foodsafe materials in four Decorative Stone colors: Gray Granite, Bermuda Sand, Night Sky and Sawgrass
- Carving Station units come with matching cutting board (except DCS400-1 and -1CM) keeping juices contained and tablecloths clean

### DCS400-1CM over HGSM-1P

The new Counter Mount Decorative Carving Station can be mounted to any appropriate counter or shelf. It's especially suited for areas that do not offer ceiling installation options.



**DCSB400-3624-2**  
Bright Nickel posts and shades with Night Sky base



**DCSB400-2420-1**  
Bright Brass post and shade with Gray Granite base



**DCSB400-R24-1**  
Antique Bronze post and shade with Bermuda Sand base



**DCS400-1**  
Bright Nickel post and shade with Night Sky base



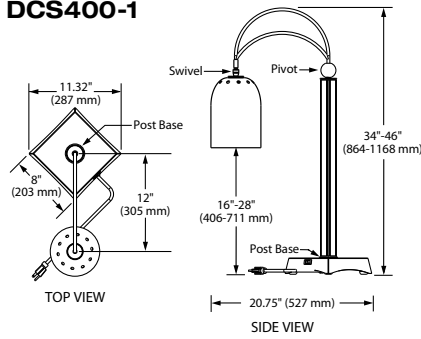
**DCS400-1CM**  
Bright Brass post and shade with Night Sky trim ring



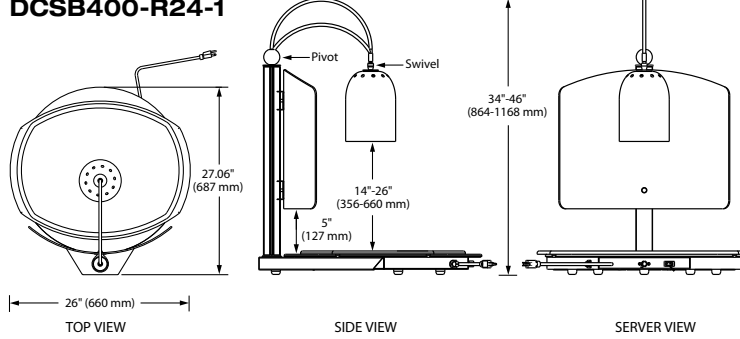
# Decorative Carving Stations

Models: DCS400-1, DCS400-1CM, DCSB400-R24-1, DCSB400-2420-1, DCSB400-3624-2

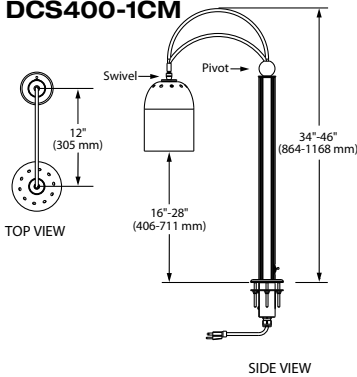
## DCS400-1



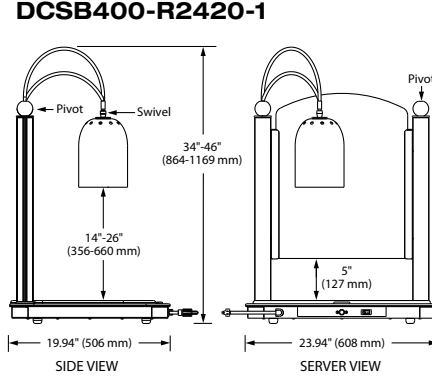
## DCSB400-R24-1



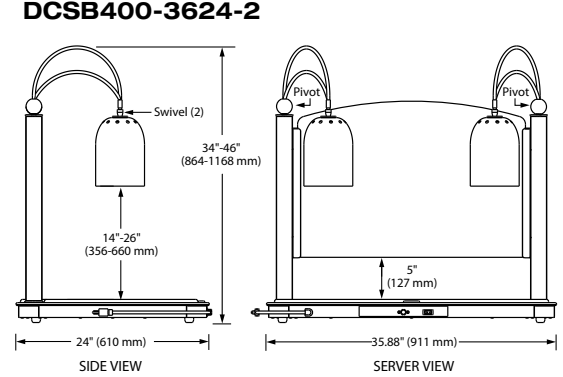
## DCS400-1CM



## DCSB400-R2420-1



## DCSB400-3624-2



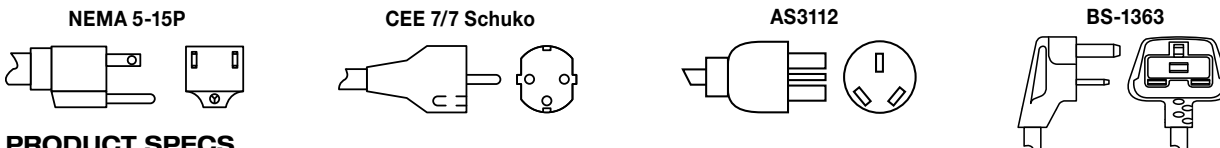
## SPECIFICATIONS Decorative Carving Stations

The shaded areas contain electrical information for International models only

Model	Dimensions (Width x Depth x Height)	Heated Base Surface (Width x Depth)	Volts	Phase	Watts	Amps	Plug	Cord Location	Ship Weight*
DCS400-1	8" x 20.75" x 34"-46" (203 x 527 x 864-1168 mm)	—	120	Single	250	2.1	NEMA 5-15P	Server side center, base of unit	32 lbs. (15 kg)
			230 (CE)		250	1.1			
DCS400-1CM	6.125" x 20.75" x 34"-46" (156 x 527 x 864-1168 mm)	—	120	Single	250	2.1	NEMA 5-15P	Bottom of unit	17 lbs. (8 kg)
			230 (CE)		250	1.1			
DCSB400-R24-1	26"W x 27.06"D x 34"-46"H (660 x 687 x 864-1168 mm)	24" (609 mm) diameter	120	Single	600	5.0	NEMA 5-15P	Server side on left, base of unit	75 lbs. (35 kg)
			230 (CE)		600	2.6			
DCSB400-2420-1	23.94" x 19.94" x 34"-46" (608 x 506 x 864-1168 mm)	24" x 20" (609 x 508 mm)	120	Single	750	6.3	NEMA 5-15P	Server side on left, base of unit	106 lbs. (48 kg)
			230 (CE)		750	3.3			
DCSB400-3624-2	35.88" x 24" x 34"-46" (911 x 610 x 864-1168 mm)	36" x 24" (914 x 609 mm)	120	Single	1300	10.8	NEMA 5-20P	Server side on left, base of unit	154 lbs. (70 kg)
			230 (CE)		1300	5.7			

\* Shipping weight includes packaging.

## PLUG CONFIGURATIONS



## PRODUCT SPECS Decorative Carving Stations

The Foodwarmer shall be a Decorative Carving Station, manufactured by the Hatco Corporation, Milwaukee, WI 53234 U.S.A.  
The Foodwarmer shall be a Decorative Carving Station Model ..., rated at ... watts, ... volts, single phase, and be ... inches (millimeters) in overall width.

The foodwarmer shall be factory-assembled ready for electrical installation with cutting board and 6' (1829 mm) cord and plug. Heated base units shall be thermostatically controlled.

Warranty consists of 24/7 parts and service assistance (U.S. and Canada only).

HATCO CORPORATION | P.O. Box 340500 Milwaukee, WI 53234-0500 U.S.A. | (800) 558-0607 | (414) 671-6350  
Fax: (800) 543-7521 | Int'l. Fax: (414) 671-3976 | www.hatcocorp.com | email: equipsales@hatcocorp.com